



# CATALOG

DRIVERS - TWEETERS - MIDRANGE  
AMPLIFIERS - SUBWOOFERS - SPEAKERS & MORE

# 2025

**GENIUS**  
**AUDIO**

**GENIUS  
AUDIO**

**WE PLAY  
LOUD  
& CLEAR**

# Drivers

*Professional  
Phenolic / Titanium*



**DR51TI**



**MAX  
POWER**

**320 W**



**SIZE**

**2"**  
*Voice Coil*

**1.35"**



**DR34PH / DR34TI  
TECHNICAL SPECIFICATION**

- 1.35" Voice coil
- 8 Ohms
- 45 Watts (RMS)
- 90 Watts (MAX)
- 105dB Sensitivity
- Phenolic / Titanium Diaphragm
- Magnet Ferrite Y35

**1.75"**



**DR44PH / DR44TI  
TECHNICAL SPECIFICATION**

- 1.75" Voice coil
- 8 Ohms
- 60 Watts (RMS)
- 120 Watts (MAX)
- 107dB Sensitivity
- Phenolic / Titanium Diaphragm
- Magnet Ferrite Y35

**2"**



**DR51PH / DR51TI  
TECHNICAL SPECIFICATION**

- 2" Voice coil
- 8 Ohms
- 80 Watts (RMS)
- 160 Watts (MAX)
- 109dB Sensitivity
- Phenolic / Titanium Diaphragm
- Magnet Ferrite Y35

# Drivers

# Professional Phenolic / Titanium



## DX3NDPH / DX3NDTI TECHNICAL SPECIFICATION

- 3" Voice coil
- 8 Ohms
- 250 Watts (RMS)
- 500 Watts (MAX)
- 111dB Sensitivity
- Phenolic / Titanium Diaphragm
- Magnet Neodymium N42

## DX405PH / DX405TI TECHNICAL SPECIFICATION

- 4" Voice coil
- 8 Ohms
- 300 Watts (RMS)
- 600 Watts (MAX)
- 109dB Sensitivity
- Phenolic / Titanium Diaphragm
- Magnet Ferrite Y35

DUAL  
**3.5"**



## Dual 3.5" Voice Coil Neodymium Magnet

### DX4500ND TECHNICAL SPECIFICATION

- Dual 3.5" Voice coil
- 8 Ohms
- 450 Watts (RMS)
- 900 Watts (MAX)
- 123dB Sensitivity
- Polyester Diaphragm
- Magnet Neodymium N45

**1800w**

# Drivers

## Professional Phenolic / Titanium

3"



### **DX75PH / DX75TI** **TECHNICAL SPECIFICATION**

- 3" Voice coil • 8 Ohms
- 150 Watts (RMS)
- 300 Watts (MAX)
- Sensitivity : 107.5dB / 108dB
- Titanium Diaphragm
- Magnet Ferrite Y35

4"



### **DX100PHND / DX100TIND** **TECHNICAL SPECIFICATION**

- 4" Voice coil • 8 Ohms
- 350 Watts (RMS)
- 700 Watts (MAX)
- Sensitivity : 110dB / 110dB
- Titanium Diaphragm
- Magnet Neodymium N42

1"



### **DRFK01PH** **TECHNICAL SPECIFICATION**

- 1" Voice coil • 8 Ohms
- 35 Watts (RMS)
- 70 Watts (MAX)
- 107dB Sensitivity
- Phenolic Diaphragm
- Magnet Neodymium N38

1"



### **DRF03PH** **TECHNICAL SPECIFICATION**

- 1" Voice coil • 8 Ohms
- 100 Watts (RMS)
- 200 Watts (MAX)
- 108dB Sensitivity
- Phenolic Diaphragm
- Magnet Ferrite Y30

**GENIUS  
AUDIO**

**WE PLAY  
LOUD  
& CLEAR**

# Horns

*Professional  
Aluminum Horn Bolt ON*



**GPRO  
HB01RED**



**Aluminum  
Bolt ON**



**SIZE**

**2"  
Diameter**



**GPRO-HB01GR - Green**

**GPRO-HB01OR - Orange**

**GPRO-HB01WH - White**

**GPRO-HB01BK - Black**

# Horns

Professional  
Aluminium Horns Bolt ON



**HR2250WH - Blanca**



**GPRO-H01**

- HORN ALUMINUM 2"
- BOLT ON
- BLACK PAINTED



**GPRO-H02**

- HORN ALUMINUM 2"
- BOLT ON
- BLACK PAINTED



**GPRO-H03**

- HORN ALUMINUM 2"
- BOLT ON
- BLACK PAINTED



**GPRO-H04**

- HORN ALUMINUM 2"
- SLIM BOLT ON
- BLACK PAINTED



**GPRO-H05**

- HORN ALUMINUM 1"
- SCREW ON
- BLACK PAINTED



**GPRO-H06**

- HORN ALUMINUM 1"
- SCREW ON
- BLACK PAINTED



**GPRO-H07**

- HORN PLASTIC 2"
- BOLT ON
- BLACK PAINTED



**GPRO-H08L**



**GPRO-H08**

- HORN PLASTIC 1"
- SCREW ON
- BLACK PAINTED



**GPRO-H09**

- HORN PLASTIC 1"
- SCREW ON
- BLACK PAINTED



**GPRO-H10**

- HORN PLASTIC 1"
- SCREW ON
- BLACK PAINTED



**GPRO-H11**

- HORN PLASTIC 1"
- SCREW ON
- BLACK PAINTED

**GENIUS  
AUDIO**

**WE PLAY  
LOUD  
& CLEAR**

# Tweeter

*Professional  
Aluminum Diaphragm*



**TWX300**



**400 W**



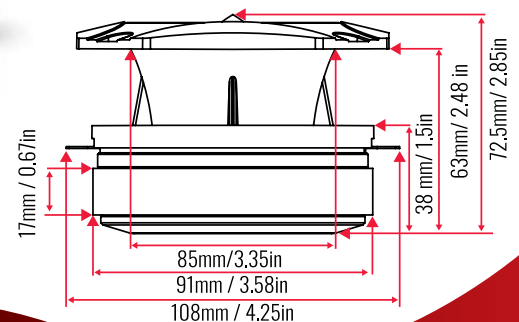
**1.75\"/>**



## **TWX300**

### **TECHNICAL SPECIFICATION**

- 4" High Compression Tweeter
- 1.75" Voice coil • 4 Ohms
- 150 Watts (RMS) • 300 Watts (MAX)
- 105dB Sensitivity
- Aluminum Diaphragm
- Magnet Ferrite Y35
- 90x50x17mm / 3.54x1.97x0.67 in



# Tweeters

# Professional Super Tweeters



## TWX300ND

- 4" High Compression Neodymium Tweeter
- 1.5 Voice coil • 4 Ohms
- 112dB Sensitivity
- 150 Watts (RMS) • 300 Watts (MAX)
- Aluminum Diaphragm
- Magnet Neodymium N42



## TWX240

- 4" High Compression Tweeter
- 1.5" Voice coil • 4 Ohms
- 120 Watts (RMS)
- 240 Watts (MAX)
- 108dB Sensitivity
- Aluminum Diaphragm
- Magnet Ferrite Y35



## TWX180ND

- 3" High Compression Neodymium Tweeter
- 1" Voice coil • 4 Ohms
- 90 Watts (RMS) • 180 Watts (MAX)
- 108dB Sensitivity
- Composite Polyimide Diaphragm
- Magnet Neodymium N42



## TWX150NDP

- 2.8" High Compression Neodymium Tweeter
- 1" Voice coil
- 4 Ohms
- 50 Watts (RMS) • 100 Watts (MAX)
- 106dB Sensitivity
- Aluminum Diaphragm
- Magnet Neodymium N42



## TWR120AP

- 3.8" High Compression Tweeter
- 1" Voice coil • 4 Ohms
- 40 Watts (RMS)
- 80 Watts (MAX)
- 104dB Sensitivity
- Aluminum Diaphragm
- Magnet Ferrite Y35



## TWR120BP

- 3.8" High Compression Tweeter
- 1" Voice coil • 4 Ohms
- 40 Watts (RMS) • 80 Watts (MAX)
- 105dB Sensitivity
- Aluminum Diaphragm
- Magnet Ferrite Y35

**GENIUS  
AUDIO**

**WE PLAY  
LOUD  
& CLEAR**

# MidRange

*Professional  
Neodymium Speakers*



**MX0165ND**



**MAX  
POWER**

**1000 W**



**SIZE**

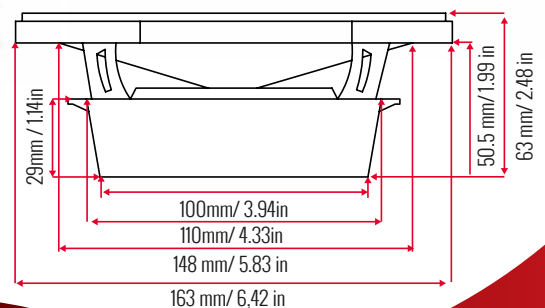
**6.5"  
Diameter**



## **MX0165ND**

### **TECHNICAL SPECIFICATION**

- 1.75" Voice coil
- 4 Ohms
- 250 Watts (RMS)
- 500 Watts (MAX)
- 98dB Sensitivity
- Paper cone
- Surround Cloth
- Aluminum Basket
- Magnet Neodymium N38



# MidRange

# Professional Neodymium Speakers

6.5"



## MR0865NDP

- 1.5" Voice coil
- 4 Ohms
- 150 Watts (RMS)
- 300 Watts (MAX)
- 96.4dB Sensitivity
- Paper cone
- Surround Cloth
- Steel Basket
- Magnet Neodymium N38

6.5"



## MR665ND

- 1.5" Voice coil
- 4 Ohms
- 250 Watts (RMS)
- 500 Watts (MAX)
- 97.4dB Sensitivity
- Paper cone
- Surround Cloth
- Aluminum Bullet
- Aluminum Basket
- Magnet Neodymium - N38

# Mid-High

# Sealed Series Professional

6.5"



## MHLA6

- 1.5" Voice coil
- 4 Ohms
- 300 Watts (RMS)
- 600 Watts (MAX)
- 94dB Sensitivity
- Paper cone
- Surround Foam
- Steel sealed Basket
- Magnet Ferrite Y30

8"



## MHLA8

- 1.5" Voice coil
- 4 Ohms
- 350 Watts (RMS)
- 700 Watts (MAX)
- 95dB Sensitivity
- Paper cone
- Surround Foam
- Steel sealed Basket
- Magnet Ferrite Y30



**GENIUS  
AUDIO**

**WE PLAY  
LOUD  
& CLEAR**

# MidRange

*Professional  
Premium Speakers*

**6.5"**



## **MR0265 TECHNICAL SPECIFICATION**

- 1.5" Voice coil
- 4 Ohms
- 150 Watts (RMS)
- 300 Watts (MAX)
- 98.7dB Sensitivity
- Paper cone
- Surround Cloth
- Aluminum Basket with Bullet
- Magnet Ferrite Y30



**8"**



## **MR028**

- 2" Voice coil
- 4 Ohms
- 200 Watts (RMS)
- 400 Watts (MAX)
- 100dB Sensitivity
- Paper cone
- Surround Cloth
- Aluminum Basket with Bullet
- Magnet Ferrite Y30

**10"**



## **MR0210**

- 2.5" Voice coil
- 4 Ohms
- 250 Watts (RMS)
- 500 Watts (MAX)
- 99.5dB Sensitivity
- Paper cone
- Surround Cloth
- Aluminum Basket with Bullet
- Magnet Ferrite Y30

# MidRange

# Marathon Series Professional

6.5"



### MR0365P

- 1.5" Voice coil • 4 Ohms
- 200 Watts (RMS)
- 400 Watts (MAX)
- 92.5dB Sensitivity

- Paper cone • Surround Cloth
- Steel Basket
- Magnet Ferrite Y30

6.5"



### MR0365BP

- 1.5" Voice coil • 4 Ohms
- 200 Watts (RMS)
- 400 Watts (MAX)
- 92.1dB Sensitivity
- Paper cone • Surround Cloth
- Plastic Bullet
- Steel Basket
- Magnet Ferrite Y30

8"



### MR038P

- 1.5" Voice Coil • 4 Ohms
- 250 Watts (RMS)
- 500 Watts (MAX)
- 92.1 dB Sensitivity
- Paper cone • Surround Cloth
- Steel Basket
- Magnet Ferrite Y30

8"



### MR038BP

- 1.5" Voice Coil
- 4 Ohms
- 250 Watts (RMS)
- 500 Watts (MAX)
- 92.3 dB Sensitivity
- Paper cone • Surround Cloth
- Plastic Bullet • Steel Basket
- Magnet Ferrite Y30

6.5"



### MR0765BP

- 1.5" Voice coil
- 4 Ohms
- 250 Watts (RMS)
- 500 Watts (MAX)
- 95.2dB Sensitivity
- Paper cone • Surround Cloth
- Plastic Bullet
- Steel Basket
- Magnet Ferrite Y30

# MidRange

# Marathon Series Professional

6.5"



### MR601BP

- 1" Voice coil • 4 Ohms
- 100 Watts (RMS)
- 200 Watts (MAX)
- 93dB Sensitivity
- Paper cone • Surround Cloth
- Plastic Bullet
- Steel Basket
- Magnet Ferrite Y30

8"



6x9"



### MR801BP

- 1.5" Voice coil • 4 Ohms
- 150 Watts (RMS)
- 300 Watts (MAX)
- 94dB Sensitivity
- Paper cone • Surround Cloth
- Plastic Bullet
- Steel Basket
- Magnet Ferrite Y30

### MR69BP

- 1.5" Voice Coil • 4 Ohms
- 200 Watts (RMS)
- 400 Watts (MAX)
- 94 dB Sensitivity
- Paper cone
- Surround Cloth • Plastic Bullet
- Steel Basket
- Magnet Ferrite Y30

6.5"



8"



### MR1065BP

- 1.5" Voice Coil • 4 Ohms
- 250 Watts (RMS)
- 500 Watts (MAX)
- 93 dB Sensitivity
- Paper cone • Surround Cloth
- Plastic Bullet • Steel Basket
- Magnet Ferrite Y30

### MR108BP

- 1.5" Voice Coil • 4 Ohms
- 300 Watts (RMS)
- 600 Watts (MAX)
- 96 dB Sensitivity
- Paper cone
- Surround Cloth
- Plastic Bullet
- Steel Basket
- Magnet Ferrite Y30

# MidRange

# Marathon Series Professional

6.5"



### MR1465BP

- 1.5" Voice coil • 4 Ohms
- 150 Watts (RMS)
- 300 Watts (MAX)
- 93.2dB Sensitivity

- Paper cone • Surround Cloth
- Plastic Bullet
- Steel Basket
- Magnet Ferrite Y30

4"



### MR4P

- 1" Voice coil
- 4 Ohms
- 80 Watts (RMS)
- 160 Watts (MAX)
- 90dB Sensitivity

- Paper cone
- Surround Cloth
- Steel Basket
- Magnet Ferrite Y30

5"



### MR525P

- 1.5" Voice Coil
- 4 Ohms
- 120 Watts (RMS)
- 240 Watts (MAX)
- 91.2 dB Sensitivity

- Paper cone
- Surround Cloth
- Steel Basket
- Magnet Ferrite Y30

## MidRange Grills (Optional)

- Size: 6.5" / 8" / 10"
- Material: Plastic
- Universal Grill Cover
- 4 Holes
- Easy Screw Installation

6.5"



8"



10"



**GENIUS  
AUDIO**

**WE PLAY  
LOUD  
& CLEAR**

# MidRange

*Professional Carbon Fiber*

**6.5"**



## **MRH65.2CP**

- 1.5" CCAW VOICE COIL
- CARBON FIBER CONE - STEEL BASKET
- 1" COMPRESSION DRIVER HORN SURROUND CLOTH
- MAGNET FERRITE Y30
- 300 WRMS - 600 WMAX
- SENSITIVITY: 96dB
- 4 OHMS
- FREQ. RESP.: 135Hz - 20KHz



*Carbon  
Fiber  
Cone*



*Water  
Resistant*



SIZE

**SLIM**

**8"**



## **MRH8.2CP**

- 1.5" CCAW VOICE COIL
- CARBON FIBER CONE - STEEL BASKET
- 1" COMPRESSION DRIVER HORN SURROUND CLOTH
- MAGNET FERRITE Y30
- 350 WRMS - 700 WMAX
- SENSITIVITY: 95dB • 4 OHMS
- FREQ. RESP.: 130Hz - 20KHz

# MidRange

# Professional Carbon Fiber

6.5"



## MRC65.2BP

- 1.5" CCAW VOICE COIL
- CARBON FIBER CONE - STEEL BASKET
- 1" BULLET TWEETER - SURROUND CLOTH
- MAGNET FERRITE Y30
- 350 WRMS - 700 WMAX
- SENSITIVITY: 96.5dB • 4 OHMS
- FREQ. RESP.: 135Hz - 20KHz

8"



## MRC8.2BP

- 1.5" CCAW VOICE COIL
- CARBON FIBER CONE - STEEL BASKET
- 1" BULLET TWEETER - SURROUND CLOTH
- MAGNET FERRITE Y30
- 400 WRMS - 800 WMAX
- SENSITIVITY: 96dB • 4 OHMS
- FREQ. RESP.: 110Hz - 20KHz

6x9"



## MRC69.2BP

- 1.5" CCAW VOICE COIL
- CARBON FIBER CONE - STEEL BASKET
- 1" BULLET TWEETER
- SURROUND CLOTH
- MAGNET FERRITE Y30
- 400 WRMS - 800 WMAX
- SENSITIVITY: 96dB
- 4 OHMS
- FREQ. RESP.: 110Hz - 20KHz

# MidRange

# Professional Carbon Fiber

6.5"



## MRC665ND

- 2" CCAW VOICE COIL
- CARBON FIBER CONE - SURROUND CLOTH
- ALUMINUM BASKET
- MAGNET NEODYMIUM N38
- 300 WRMS - 600 WMAX
- SENSITIVITY: 96.2dB
- 4 OHMS
- FREQ. RESP.: 145Hz - 15KHz

8"



10"



## MRC68ND

- 2" CCAW VOICE COIL
- CARBON FIBER CONE SURROUND CLOTH
- ALUMINUM BASKET
- MAGNET NEODYMIUM N38
- 350 WRMS - 700 WMAX
- SENSITIVITY: 98.2dB
- 4 OHMS
- FREQ. RESP.: 110Hz - 16KHz

## MRC610ND

- 2.5" CCAW VOICE COIL
- CARBON FIBER CONE SURROUND CLOTH
- ALUMINUM BASKET
- MAGNET NEODYMIUM N38
- 400 WRMS - 800 WMAX
- SENSITIVITY: 97.5dB
- 4 OHMS
- FREQ. RESP.: 70Hz - 7KHz

8"



## MBX138C "MIDBASS"

- 3" CCAW VOICE COIL
- CARBON FIBER CONE ALUMINUM BASKET
- SURROUND CLOTH
- MAGNET FERRITE Y30
- 600 WRMS - 1200 WMAX
- SENSITIVITY: 94.7dB
- 4 OHMS
- FREQ. RESP.: 80Hz - 5KHz

10"



## MB910C "MIDBASS"

- 3" CCAW VOICE COIL
- CARBON FIBER CONE
- SURROUND CLOTH
- CARBON FIBER DUST CAP
- ALUMINUM BASKET
- MAGNET FERRITE Y30
- 750 WRMS - 1500 WMAX
- SENSITIVITY: 95.2dB
- 4 OHMS
- FREQ. RESP.: 83Hz - 4.3KHz



**GENIUS  
AUDIO**

**WE PLAY  
LOUD  
& CLEAR**

# MidRange

*Xplotion Series  
High Power*

**6.5"**



### MRX65

- 6.5" OCTAGONAL MIDRANGE
- 4 OHMS
- 2" CCAW VOICE COIL
- PAPER CONE - ALUMINUM BASKET
- SURROUND CLOTH
- MAGNET FERRITE Y30
- 350 WRMS - 700 WMAX
- SENSITIVITY: 92.4dB
- FREQ. RESP.: 126Hz - 10.5KHz



**MAX  
POWER**

**700 W**



**SIZE**

**Octo  
gonal**

**8"**



### MRX098

- 8" OCTAGONAL MIDRANGE
- 2" CCAW VOICE COIL
- PAPER CONE - ALUMINUM BASKET
- SURROUND CLOTH
- MAGNET FERRITE Y30
- 560z • 156x60x20mm
- 450 WRMS - 900 WMAX
- SENSITIVITY: 97dB • 4 OHMS
- FREQ. RESP.: 110Hz - 8.5KHz

**8"**



### MR098C

- 8" PROFESSIONAL MIDRANGE
- 2" CCAW VOICE COIL
- PAPER CONE - ALUMINUM BASKET
- SURROUND CLOTH
- MAGNET FERRITE Y30
- 56 Oz • 156x60x20mm
- 450 WRMS - 900 WMAX
- SENSITIVITY: 96.6dB • 4 OHMS
- FREQ. RESP.: 107Hz - 10KHz

**8"**



### MR138C

- 8" PROFESSIONAL MIDRANGE
- 3" CCAW VOICE COIL
- PAPER CONE - ALUMINUM BASKET
- SURROUND CLOTH
- MAGNET FERRITE Y30
- 65 Oz • 170x70x20mm
- 550 WRMS - 1100 WMAX
- SENSITIVITY: 93dB • 4 OHMS
- FREQ. RESP.: 105Hz - 8KHz

# MidBass

# Xplotion Series High Power



### MBX138

- 8" OCTAGONAL MIDBASS
- 3" CCAW VOICE COIL
- PAPER CONE - ALUMINUM BASKET
- SURROUND CLOTH
- MAGNET FERRITE Y30
- 550 WRMS - 1100 WMAX
- SENSITIVITY: 94.5dB • 4 OHMS
- FREQ. RESP.: 105Hz - 7.5KHz



### MBX0910

- 10" OCTAGONAL MIDBASS
- 3" CCAW VOICE COIL
- PAPER CONE - ALUMINUM BASKET
- SURROUND CLOTH
- MAGNET FERRITE Y30
- 600 WRMS - 1200 WMAX
- SENSITIVITY: 97dB
- 4 OHMS
- FREQ. RESP.: 85Hz - 6KHz



### GPRO-M1710

- 10 INCHES
- 3" CCAW VOICE COIL
- Y30 MAGNET FERRITE
- 350 WATTS RMS
- 700 WATTS MAX
- ALUMINIUM BASKET
- 4 OHMS
- SENSITIVITY: 100.3 dB
- FREQUENCY RESPONSE: 90 Hz - 5.3 KHz

GENIUS  
AUDIO

WE PLAY  
LOUD  
& CLEAR

# MidBass

## MX Series



MBX548D4



MAX  
POWER

2000 W

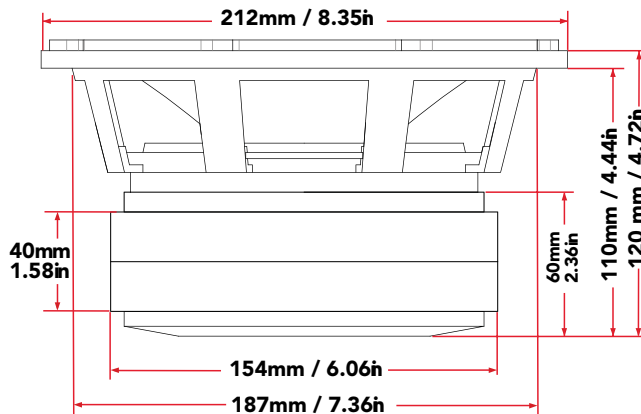


SIZE

8"  
Diameter

### MBX548D4

- 8" PROFESSIONAL MIDBASS SPEAKER
- 3" CCAW VOICE COIL
- PAPER CONE - ALUMINUM BASKET
- SURROUND CLOTH
- MAGNET FERRITE Y35
- 1000 WRMS - 2000 WMAX
- SENSITIVITY: 92dB
- Dual 4 OHMS
- FREQ. RESP.: 110Hz - 7KHz



# MidBass

# MX Series Series Xtreme Power

10"



- 10" MIDBASS SPEAKER
- 4" CCAW VOICE COIL
- PAPER CONE
- ALUMINUM BASKET
- SURROUND CLOTH
- MAGNET FERRITE Y35
- 1000 WRMS - 2000 WMAX

## MBX5010S4

- SENSITIVITY: 96dB
- SINGLE 4 OHMS
- FREQ. RESP.: 112Hz - 4.5KHz

## MBX5010S8

- SENSITIVITY: 94.5dB
- SINGLE 8 OHMS
- FREQ. RESP.: 93Hz - 4.5KHz

12"



- 12" MIDBASS SPEAKER
- 4" CCAW VOICE COIL
- PAPER CONE
- ALUMINUM BASKET
- SURROUND CLOTH
- MAGNET FERRITE Y35
- 1000 WRMS - 2000 WMAX

## MBX5212S4

- SINGLE 4 OHMS
- SENSITIVITY: 95DB
- FREQ. RESP.: 60HZ -6 KHZ

## MBX5212S8

- SINGLE 8 OHMS
- SENSITIVITY: 96.2DB
- FREQ. RESP.: 65HZ -6.3 KHZ

10"



- 10" MIDRANGE SPEAKER
- 4" CCAW VOICE COIL
- PAPER CONE
- ALUMINUM BASKET
- SURROUND CLOTH
- MAGNET FERRITE Y35
- 1100 WRMS - 2200 WMAX

## MRX5010S4

- SINGLE 4 OHMS
- SENSITIVITY: 93DB
- FREQ. RESP.: 70HZ - 7KHZ

## MRX5010S8

- SINGLE 8 OHMS
- SENSITIVITY: 94.3DB
- FREQ. RESP.: 95HZ - 7.5KHZ

12"



- 12" MIDRANGE SPEAKER
- 4" CCAW VOICE COIL
- PAPER CONE
- ALUMINUM BASKET
- SURROUND CLOTH
- MAGNET FERRITE Y35
- 1250 WRMS - 2500 WMAX

## MRX5012S4

- SINGLE 4 OHMS
- SENSITIVITY: 96.5DB
- FREQ. RESP.: 75HZ- 5.5 KHZ

## MRX5012S8

- SINGLE 8 OHMS
- SENSITIVITY: 96.6DB
- FREQ. RESP.: 65HZ - 5.3 KHZ

**GENIUS  
AUDIO**

**WE PLAY  
LOUD  
& CLEAR**

# Coaxials

## High Quality Series



### **GX65.2**

- 1" SV VOICE COIL
- IRON BASKET
- MAGNET FERRITE Y25
- 40 WRMS - 240 WATTS
- SENSITIVITY: 90dB • 4 OHMS
- FREQ. RESP.: 70Hz - 20KHz

### **TWEETER**

- Nominal Diameter 1"
- Neodymium N38 Magnet



**GX65.2**



**MAX  
POWER**

**240 W**



**SIZE**

**6.5"**  
*Diameter*

### **GXR65.2**

- 1" SV VOICE COIL
- IRON BASKET
- MAGNET FERRITE Y30
- 50 WRMS - 300 WATTS
- SENSITIVITY: 92dB • 4 OHMS
- FREQ. RESP.: 63Hz - 20KHz

### **TWEETER**

- Nominal Diameter 1"
- Neodymium N38 Magnet



**6.5"**



6.5"



**GXT65.2GF**

- 1" SV VOICE COIL
- SURROUND RUBBER
- IRON BASKET
- MAGNET FERRITE Y30
- 50 WRMS - 300 WATTS
- SENSITIVITY: 91dB • 4 OHMS
- FREQ. RESP.: 50Hz - 20KHz

**TWEETER**

- Nominal Diameter 1"
- Neodymium N38 Magnet

6.5"



**GXT65.2HR**

- 1" SV VOICE COIL
- SURROUND RUBBER
- IRON BASKET
- MAGNET FERRITE Y30
- 55 WRMS - 330 WATTS
- SENSITIVITY: 91dB • 4 OHMS
- FREQ. RESP.: 50Hz - 20KHz

**TWEETER**

- Nominal Diameter 1"
- Neodymium N38 Magnet

*Component Kit*

*High Quality Series*



**GXQ65.3COM**

**WOOFER**

- 6.5" • 1.38" SV VOICE COIL
- GLASS FIBER CONE
- ALUMINUM BASKET
- SURROUND RUBBER
- MAGNET FERRITE Y35
- 60 WRMS - 360 WATTS
- SENSITIVITY: 91DB • 4 OHMS
- FREQ. RESP.: 30HZ - 9KHZ

**MIDRANGE**

- 6.5" • 1" SV VOICE COIL
- ALUMINUM BASKET
- SURROUND RUBBER
- MAGNET FERRITE Y30
- 40 WRMS - 240 WATTS
- SENSITIVITY: 87DB • 4 OHMS
- FREQ. RESP.: 150HZ - 18KHZ

**TWEETER**

- NOMINAL DIAMETER 1.5"
- VOICE COIL SV 1"
- NEODYMIUM N38 MAGNET



### GXR65.2COM

- 1" SV VOICE COIL
- GLASS FIBER CONE
- IRON BASKET
- SURROUND RUBBER
- MAGNET FERRITE Y30
- 50 WRMS - 300 WATTS
- SENSITIVITY: 92dB • 4 OHMS
- FREQ. RESP.: 40Hz - 20KHz

### TWEETER

- Nominal Diameter 1.5"
- Voice Coil CCAW 1"
- Neodymium N38 Magnet



### GXT65.2COM

- 1.2" SV VOICE COIL
- ALUMINUM BASKET
- SURROUND RUBBER
- MAGNET FERRITE Y30
- 60 WRMS - 360 WATTS
- SENSITIVITY: 92dB • 4 OHMS
- FREQ. RESP.: 40Hz - 20KHz

### TWEETER

- Nominal Diameter 1.5"
- Voice Coil SV 1"
- Neodymium N38 Magnet

### M652COM

- PAPER CONE BLACK HIGH QUALITY
- HIGH QUALITY PLASTIC BULLET
- HIGH QUALITY MAGNET STRUCTURE
- VOICE COIL 1" (25Ø) KSV
- 0.75" NEODYMIUM DOME TWEETER
- 300 WATTS PEAK/ 50W RMS
- 4 OHMS IMPEDANCE
- SENSITIVITY (SPL): 89 DB
- FREQUENCY RESPONSE: 70HZ - 20KHZ
- 12DB 2-WAY PASSIVE CROSSOVER AND MOUNTING ACCESSORIES INCLUDED



# Tweeter

## Dome Tweeter Series

1.5"



### TW25SD

- Nominal Diameter: 1.5" / 38.1 mm
- Nominal Impedance: 4 OHMS
- Program Power Handling: 70Watts
- Peak Power Handling: 140 Watts
- Sensitivity (1w/1m): 92 dB
- Frequency Response: 1.5 KHz - 20 KHz

1.5"



### TW26SD

- Nominal Diameter: 1.5" / 38.1 mm
- Nominal Impedance: 4 OHMS
- Program Power Handling: 70Watts
- Peak Power Handling: 140 Watts
- Sensitivity (1w/1m): 96 dB
- Frequency Response: 1.5 KHz - 20 KHz

1.5"



### TWP01

- Tweeter Size: 1.5" (38.1 mm)
- Impedance: 6 Ohms
- Program Power Handling: 120 Watts
- Peak Power Handling : 240 Watts
- Sensitivity (1w/1m): 97 dB
- Frequency Response: 5KHz -20KHz

2"



### TWP02

- Tweeter Size: 2" (50.8 mm)
- Program Power Handling: 100 Watts
- Peak Power Handling: 200 Watts
- Sensitivity (1w/1m): 93 dB
- Frequency Response: 5kHz - 20KHz

2"



### 20TWD

- Nominal Diameter: 2.05" / 52 mm
- Nominal Impedance: 6 OHMS
- Program Power Handling: 70 Watts
- Peak Power Handling: 140 Watts
- Sensitivity (1w/1m): 93 dB
- Frequency Response: 3 KHz - 20 KHz
- Magnet Material: Neodymium N38H

2.3"



### 30TWD

- Nominal Diameter: 2.3" / 58.42 mm
- Nominal Impedance: 4 OHMS
- Program Power Handling: 70 Watts
- Peak Power Handling: 140 Watts
- Sensitivity (1w/1m): 91 dB
- Frequency Response: 4 KHz - 20 KHz
- Magnet Material: Neodymium N42

4"



**M42V**

- Paper Cone + Poly Mica "PPM" High Quality
- Voice Coil 1" (25ø) ASV
- Neodymium Dome Tweeter 0.5" Type Mylar
- 170 Watts Peak / 30W RMS
- 4 Ohm Impedance
- Sensitivity (SPL): 85 dB
- Frequency Response: 132 Hz - 20 KHz

5"



**M5252V**

- Paper Cone + Poly Mica "PPM" High Quality
- Voice Coil 1" (25ø) ASV
- Neodymium Dome Tweeter 0.5" Type Mylar
- 220 Watts Peak / 35W RMS
- 4 Ohms Impedance
- Sensitivity (SPL): 87 dB
- Frequency Response: 96Hz - 20 KHz

6.5"



**M652V**

- Paper Cone + Poly Mica "PPM" High Quality
- Voice Coil 1" (25ø) KSV
- Neodymium Dome Tweeter 0.5" Type Mylar
- 250 Watts Peak / 45W RMS
- 4 Ohm Impedance
- Sensitivity (SPL): 89 dB
- Frequency Response: 80Hz - 20KHz

6x9"



**M693V**

- Paper Cone + Poly Mica "PPM" high quality
- Voice Coil 1.2" (30ø) KSV
- Cone Midrange 2.5" Type Mylar
- Neodymium Dome Tweeter 0.5" Type Mylar
- 420Watts Peak / 80W RMS
- 4 Ohm Impedance • Sensitivity (SPL): 92 dB
- Frequency Response: 68Hz - 20KHz

**GENIUS  
AUDIO**

**WE PLAY  
LOUD  
& CLEAR**

# Amplifiers

## Mini Compact Series



### POWER

- RMS Power x 4CH @ 4 ohm Stereo (14.4V): **137 Watts**
- RMS Power x 4CH @ 2 ohm Stereo (14.4V): **187 Watts**
- RMS Power x 2CH @ 4 ohm Bridged (14.4V): **400 Watts**
- Power x 4CH @ 2 ohm Stereo (14.4V) - (BURST): **234 Watts**

### CROSSOVER FILTER RANGE:

- Selectable Crossover: LPF / HPF / FULL
- HPF (High Pass Filter): 40Hz - 3KHz
- LPF (Low Pass Filter): 40Hz - 3KHz
- Crossover Slope: 12dB



**ZR100.4D**



**MAX  
POWER**

**2600 W**

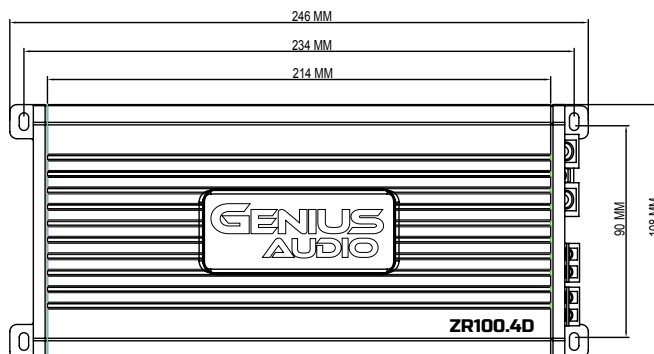
**CLASS  
D**

**Full  
Range  
4CH**



### AUDIO:

Frequency Response Range:	22Hz - 35KHz
Signal to Noise Ratio:	>87dB
Input Impedance:	20 kOhm
Minimum Impedance Connection:	2 Ohm (St) - 4 Ohm (Bridged)
Efficiency:	88% to 4Q
Input Sensitivity:	0.3 - 9.5V (low)/1.6 - 27V(high)
Total Harmonic Distortion (THD):	<1%





## ZR150.4D MINI COMPACT AMPLIFIER CLASS D - 4CH

### POWER

- RMS Power x 4CH @ 4 ohm Stereo (14.4V): **165 Watts**
- RMS Power x 4CH @ 2 ohm Stereo (14.4V): **265 Watts**
- RMS Power x 2CH @ 4 ohm Bridged (14.4V): **510 Watts**
- Power x 4CH @ 2 ohm Stereo (14.4V) - (BURST): **305 Watts**

### CROSSOVER FILTER RANGE:

- Selectable Crossover: LPF / HPF / FULL
- HPF (High Pass Filter): 40Hz - 3KHz
- LPF (Low Pass Filter): 40Hz - 3KHz
- Crossover Slope: 12dB

**MAX POWER: 3300 WATTS**



## ZR600.1D MINI COMPACT AMPLIFIER CLASS D - Monoblock

### POWER

- RMS Power x 1CH @ 4 ohm Mono (14.4V): **243 Watts**
- RMS Power x 1CH @ 2 ohm Mono (14.4V): **428 Watts**
- RMS Power x 1CH @ 1 ohm Mono (14.4V): **605 Watts**
- Power x 1CH @ 1 ohm Mono (14.4V) - (BURST): **650 Watts**

### CROSSOVER FILTER RANGE:

- Selectable Crossover: LPF / SUBSONIC
- Subsonic: 10Hz - 55Hz
- LPF (Low Pass Filter): 40Hz - 250Hz
- Crossover Slope: 24dB

**MAX POWER: 1200 WATTS**



# Amplifiers

## Mini Compact Series



### ZR800.1D MINI COMPACT AMPLIFIER CLASS D - Monoblock

#### POWER

- RMS Power x 1CH @ 4 ohm Mono (14.4V): **382 Watts**
- RMS Power x 1CH @ 2 ohm Mono (14.4V): **605 Watts**
- RMS Power x 1CH @ 1 ohm Mono (14.4V): **828 Watts**
- Power x 1CH @ 1 ohm Mono (14.4V) - (BURST): **870 Watts**

#### CROSSOVER FILTER RANGE:

- Selectable Crossover: LPF / SUBSONIC
- Subsonic: 10Hz - 55Hz
- LPF (Low Pass Filter): 40Hz - 250Hz
- Crossover Slope: 24dB

**MAX POWER: 1600 WATTS**



### ZR1000.1D MINI COMPACT AMPLIFIER CLASS D - Monoblock

#### POWER

- RMS Power x 1CH @ 4 ohm Mono (14.4V): **477 Watts**
- RMS Power x 1CH @ 2 ohm Mono (14.4V): **771 Watts**
- RMS Power x 1CH @ 1 ohm Mono (14.4V): **1005 Watts**
- Power x 1CH @ 1 ohm Mono (14.4V) - (BURST): **1075 Watts**

#### CROSSOVER FILTER RANGE:

- Selectable Crossover: LPF / SUBSONIC
- Subsonic: 10Hz - 55Hz
- LPF (Low Pass Filter): 40Hz - 250Hz
- Crossover Slope: 24dB

**MAX POWER: 2000 WATTS**





## ZR150.5D MINI COMPACT CLASS D - 5 CH

### POWER @ 14.4V (CH1 - CH4)

- RMS Power x 4CH @ 4 ohm Stereo (14.4V): **151 Watts**
- RMS Power x 4CH @ 2 ohm Stereo (14.4V): **200 Watts**
- RMS Power x 2CH @ 4 ohm Bridged (14.4V): **383 Watts**
- Power x 4CH @ 2 ohm Stereo (14.4V) - (BURST): **230 Watts**

### POWER @ 14.4V (CH5)

- RMS Power x 1CH @ 4 ohm Mono (14.4V): **388 Watts**
- RMS Power x 1CH @ 2 ohm Mono (14.4V): **563 Watts**

### Selectable Crossover:

- ( CH1 - CH4 ) LPF / HPF / FULL
- ( CH5 ) LPF / SUBSONIC

**MAX POWER: 2700 WATTS**



## ZR150.6D MINI COMPACT CLASS D - 6 CH

### POWER @ 14.4V (CH1 - CH6)

- RMS Power x 6CH @ 4 ohm Stereo (14.4V): **152 Watts**
- RMS Power x 6CH @ 2 ohm Stereo (14.4V): **201 Watts**
- RMS Power x 3CH @ 4 ohm Bridged (14.4V): **376 Watts**
- Power x 6CH @ 2 ohm Stereo (14.4V) - (BURST): **231 Watts**

### CROSSOVER FILTER RANGE:

- Selectable Crossover: LPF / HPF / FULL
- HPF (High Pass Filter): 40 Hz - 3 KHz
- LPF (Low Pass Filter): 40 Hz - 3 KHz
- Crossover Slope: 12dB

**MAX POWER: 2800 WATTS**



**GENIUS  
AUDIO**

**WE PLAY  
LOUD  
& CLEAR**

# Amplifiers

## Mini Compact Series



### POWER

- RMS Power x 4CH @ 4 ohm Stereo (14.4V): **138 Watts**
- RMS Power x 4CH @ 2 ohm Stereo (14.4V): **190 Watts**
- RMS Power x 2CH @ 4 ohm Bridge (14.4V): **384 Watts**
- Max Power x 4CH @ 2 ohm Stereo (14.4V) - (BURST): **236 Watts**

### CROSSOVER FILTER RANGE:

- Selectable Crossover: FULL / LPF / HPF
- HPF (High Pass Filter): 50Hz - 500Hz
- LPF (Low Pass Filter): 50Hz - 500 Hz

### MAX POWER: 3000 WATTS



**GMC120.4D**



**MAX  
POWER**

**2000 W**

**CLASS  
D**

**4  
Channels  
Stereo**



### AUDIO:

Frequency Response Range:	20Hz - 20KHz
Signal to Noise Ratio:	>88dB
Input Impedance:	20Kohm
Minimum Impedance Connection:	2 ohm (St) - 4 ohm (Bridged)
Efficiency:	93%
Input Sensitivity:	0.3V - 10V
Total Harmonic Distortion (THD):	<1%
Bass Boost Range:	0 - 12dB



**GENIUS  
AUDIO**

**WE PLAY  
LOUD  
& CLEAR**

# Amplifiers

## Ultra Compact Series



### POWER

- RMS Power x 4CH @ 4 ohm Stereo (14.4V): **65 Watts**
- RMS Power x 4CH @ 2 ohm Stereo (14.4V): **96 Watts**
- RMS Power x 2CH @ 4 ohm Bridged (14.4V): **188 Watts**
- Power x 4CH @ 2 ohm Stereo (14.4V) - (BURST): **118 Watts**

### CROSSOVER FILTER RANGE:

- Selectable Crossover: LPF / HPF / FULL
- HPF (High Pass Filter): 40Hz - 3KHz
- LPF (Low Pass Filter): 40Hz - 3KHz
- Crossover Slope: 12dB

### MAX POWER: 3000 WATTS



**XR60.4D**



**MAX  
POWER**

**3000 W**

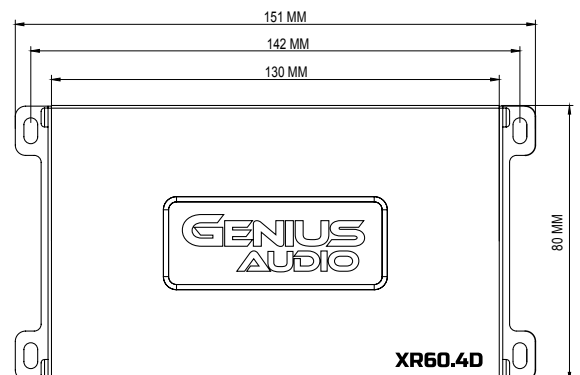
**CLASS  
D**

**Full  
Range  
Stereo**



### AUDIO:

Frequency Response Range:	20Hz - 20KHz
Signal to Noise Ratio:	>82dB
Input Impedance:	20Kohm
Minimum Impedance Connection:	2 ohm (St) - 4 ohm (Bridged)
Efficiency:	85% to 4Q
Input Sensitivity:	0.2V - 6.5V
Total Harmonic Distortion (THD):	<1%



# Amplifiers

## Ultra Compact Series



### POWER

- RMS Power x 4CH @ 4 ohm Stereo (14.4V): **238 Watts**
- RMS Power x 4CH @ 2 ohm Stereo (14.4V): **390 Watts**
- RMS Power x 2CH @ 4 ohm Bridged (14.4V): **558 Watts**
- Power x 4CH @ 2 ohm Stereo (14.4V) - (BURST): **596 Watts**

### CROSSOVER FILTER RANGE:

- Selectable Crossover: LPF / SUBSONIC
- SUBSONIC: 10Hz - 55Hz
- LPF (Low Pass Filter): 50Hz - 250Hz
- Crossover Slope: 24dB



**XR500.1D**



**1000 W**

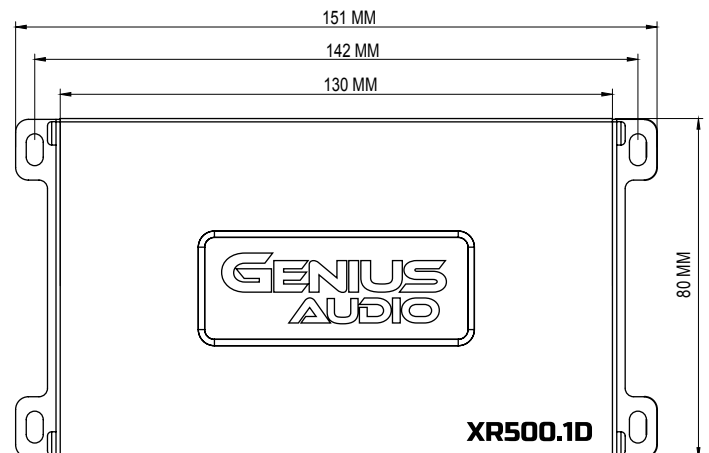
**CLASS D**

**1 OHM MONO**



### AUDIO:

Frequency Response Range:	15Hz -250Hz
Signal to Noise Ratio:	>89dB
Input Impedance:	20Kohm
Minimum Impedance Connection:	1 ohm Mono
Efficiency:	87% to 4Ω
Input Sensitivity:	0.2V - 7V
Total Harmonic Distortion (THD):	<1%



**GENIUS  
AUDIO**

**WE PLAY  
LOUD  
& CLEAR**

# Amplifiers

## Compact Series



### POWER

- RMS Power x 4CH @ 4 ohm Stereo (14.4V): **323 Watts**
- RMS Power x 4CH @ 2 ohm Stereo (14.4V): **519 Watts**
- RMS Power x 4CH @ 1 ohm Stereo (14.4V): **721 Watts**
- RMS Power x 2CH @ 4 ohm Bridged (14.4V): **1033 Watts**
- RMS Power x 2CH @ 2 ohm Bridged (14.4V): **1430 Watts**
- Power x 4CH @ 2 ohm Stereo (14.4V) - (BURST): **1546 Watts**

### CROSSOVER FILTER RANGE:

- Selectable Crossover: LPF / HPF / FULL
- HPF (High Pass Filter): 35Hz - 8KHz
- LPF (Low Pass Filter): 35Hz - 8KHz
- Crossover Slope: 12dB



**PX700.4D1**



**MAX  
POWER**

**5800 W**

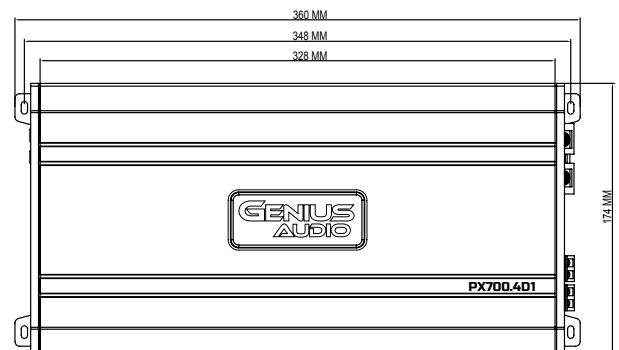
**CLASS  
D**

**Full  
Range  
Stereo**



### AUDIO:

Frequency Response Range:	20-25kHz
Signal to Noise Ratio:	>86.5dB
Input Impedance:	20Kohm
Minimum Impedance Connection:	1 ohm (St) - 2 ohm (Bridged)
Efficiency:	84% @4ohm
Input Sensitivity:	0.4V-7.5V
Total Harmonic Distortion (THD):	<1%
Bass Boost Range:	0-18dB



# Amplifiers

## Compact Series



### PX1000.4D1 COMPACT CLASS D - 4 CH

#### POWER @ 14.4V

- RMS Power x 4CH @ 4 ohm Stereo (14.4V): **410 Watts**
- RMS Power x 4CH @ 2 ohm Stereo (14.4V): **695 Watts**
- RMS Power x 4CH @ 1 ohm Stereo (14.4V): **1008 Watts**
- RMS Power x 2CH @ 4 ohm Bridged (14.4V): **1380 Watts**
- RMS Power x 2CH @ 2 ohm Bridged (14.4V): **2006 Watts**
- Power x 4CH @ 2 ohm Stereo (14.4V) - (BURST): **2146 Watts**



#### Selectable Crossover:

- Selectable Crossover: LPF / HPF / FULL
- HPF (High Pass Filter): 35Hz - 8KHz
- LPF (Low Pass Filter): 35Hz - 8KHz
- Crossover Slope: 12dB

**MAX POWER: 6300 WATTS**



### PX1500.1D COMPACT CLASS D - MONO

#### POWER @ 14.4V

- RMS Power x 1CH @ 4 ohm Mono (14.4V): **570 Watts**
- RMS Power x 1CH @ 2 ohm Mono (14.4V): **1022 Watts**
- RMS Power x 1CH @ 1 ohm Mono (14.4V): **1556 Watts**
- Power x 1CH @ 1 ohm Mono (14.4V) - (BURST): **1598 Watts**

#### CROSSOVER FILTER RANGE:

- Selectable Crossover: LPF / SUBSONIC
- Subsonic: **10Hz - 55Hz**
- LPF (Low Pass Filter): **50-250 Hz**
- Crossover Slope: **24dB**

**MAX POWER: 3000 WATTS**



**GENIUS  
AUDIO**

**WE PLAY  
LOUD  
& CLEAR**

# Amplifiers

## Full Range Monoblock



### POWER

- RMS Power x 1CH @ 4 ohm Mono (14.4V): **512 Watts**
- RMS Power x 1CH @ 2 ohm Mono (14.4V): **780 Watts**
- RMS Power x 1CH @ 1 ohm Mono (14.4V): **1286 Watts**
- Max Power x 1CH @ 1 ohm Mono (14.4V) - (BURST): **1436 Watts**

### CROSSOVER FILTER RANGE:

- Selectable Crossover: **Band-Pass**
- HPF (High Pass Filter): **10Hz - 90Hz**
- LPF (Low Pass Filter): **90Hz - 10KHz**

### MAX POWER: 2400 WATTS



**GTR1200.1DF**



**RMS  
POWER**

**1200 W**

**CLASS  
D**

**Full  
Range  
MONO**



### AUDIO:

Frequency Response Range:	10Hz - 10KHz
Signal to Noise Ratio:	>90dB
Input Impedance:	20Kohm
Minimum Impedance Connection:	1 ohm
Efficiency:	90%
Input Sensitivity:	0.28V - 8V
Total Harmonic Distortion (THD):	<1%
Bass Boost Range:	0 - 10dB
Bass Boost Frequency :	35Hz - 55Hz
Remote Control:	Included

# Amplifiers

## Full Range Monoblock



### *GTR2000.1DF* FULL RANGE CLASS D - MONO

#### POWER @ 14.4V

- RMS Power x 1CH @ 4 ohm Mono (14.4V): **760 Watts**
- RMS Power x 1CH @ 2 ohm Mono (14.4V): **1375 Watts**
- RMS Power x 1CH @ 1 ohm Mono (14.4V): **2037 Watts**
- Max Power x 1CH @ 1 ohm Mono (14.4V) - (BURST): **2118 Watts**

#### Selectable Crossover:

- Selectable Crossover: Band-Pass
- HPF (High Pass Filter): 10Hz - 90Hz
- LPF (Low Pass Filter): 90Hz - 10KHz

#### MAX POWER: 4000 WATTS



### *GTR3000.1DF* FULL RANGE CLASS D - MONO

#### POWER @ 14.4V

- RMS Power x 1CH @ 4 ohm Mono (14.4V): **1096 Watts**
- RMS Power x 1CH @ 2 ohm Mono (14.4V): **2136 Watts**
- RMS Power x 1CH @ 1 ohm Mono (14.4V): **3150 Watts**
- Max Power x 1CH @ 1 ohm Mono (14.4V) - (BURST): **3230 Watts**

#### Selectable Crossover:

- Selectable Crossover: Band-Pass
- HPF (High Pass Filter): 10Hz - 90Hz
- LPF (Low Pass Filter): 90Hz - 10KHz

#### MAX POWER: 6000 WATTS



# Amplifiers

## Full Range Monoblock



### GTR5000.1DF FULL RANGE CLASS D - MONO

#### POWER @ 14.4V

- RMS Power x 1CH @ 4 ohm Mono (14.4V): **2033 Watts**
- RMS Power x 1CH @ 2 ohm Mono (14.4V): **3530 Watts**
- RMS Power x 1CH @ 1 ohm Mono (14.4V): **5190 Watts**
- Max Power x 1CH @ 1 ohm Mono (14.4V) - (BURST): **5300 Watts**

#### Selectable Crossover:

- Selectable Crossover: Band-Pass
- HPF (High Pass Filter): 10Hz - 90Hz
- LPF (Low Pass Filter): 90Hz - 10KHz

**MAX POWER: 10.000 WATTS**



### GTR8000.1DF FULL RANGE CLASS D - MONO

#### POWER @ 14.4V

- RMS Power x 1CH @ 4 ohm Mono (14.4V): **2930 Watts**
- RMS Power x 1CH @ 2 ohm Mono (14.4V): **5450 Watts**
- RMS Power x 1CH @ 1 ohm Mono (14.4V): **8360 Watts**
- Max Power x 1CH @ 1 ohm Mono (14.4V) - (BURST): **8470 Watts**

#### Selectable Crossover:

- Selectable Crossover: Band-Pass
- HPF (High Pass Filter): 10Hz - 90Hz
- LPF (Low Pass Filter): 90Hz - 10KHz

**MAX POWER: 16.000 WATTS**



## GTM-1000.1D

- MONOBLOCK AMPLIFIER
- COMPACT SERIES – CLASS D
- **STABLE AT 1 OHMS MONO**
- CHANNELS: 1
- PCB LAYERS: 2
- TOPOLOGY: CLASS-D
- WATTS MAX **2000W**
- RMS POWER AT 4 OHM MONO @13.8V: 320WRMS
- RMS POWER AT 2 OHM MONO @13.8V: 540WRMS
- RMS POWER AT 1 OHM MONO @13.8V: 970WRMS
- TOTAL HARMONIC DISTORTION: <1%
- INPUT SENSITIVITY: 200MV-5.0V
- SIGNAL NOISE RATIO: 97DB
- GAIN RANGE: 0.2-5V
- Crossover RANGE - L.P.F: 40-180HZ
- SUBSONIC FREQUENCY: 0 - 50HZ
- OPERATION EFFICIENCY: 80%
- FULL POWER THERMAL TIME: >45MINS
- DAMPING FACTOR: >200
- FREQUENCY RESPONSE: 10 - 190HZ
- BASS BOOST: 0-12DB
- PROTECTION SYSTEM: TEMP. / SHORT CIRCUIT / H-L VOL.
- MINIMUM SUPPLY VOLTAGE: 9V
- MAXIMUM SUPPLY VOLTAGE: 16V
- IDLE CONSUMPTION @ 12.6 VDC: 0.7A
- MUSICAL MAXIMUM CONSUMPTION @ 12.6 VDC: 75A
- REMOTE CONTROL: YES

# 2000 WMAX



## GTM-1500.1D

- MONOBLOCK AMPLIFIER
- COMPACT SERIES – CLASS D
- **STABLE AT 1 OHMS MONO**
- CHANNELS: 1
- PCB LAYERS: 2
- TOPOLOGY: CLASS-D
- WATTS MAX **3000W**
- RMS POWER AT 4 OHM MONO @13.8V: 430WRMS
- RMS POWER AT 2 OHM MONO @13.8V: 800WRMS
- RMS POWER AT 1 OHM MONO @13.8V: 1450WRMS
- TOTAL HARMONIC DISTORTION: <1%
- INPUT SENSITIVITY: 200MV-5.0V
- SIGNAL NOISE RATIO: 97DB
- GAIN RANGE: 0.2-5V
- Crossover RANGE - L.P.F: 40-180HZ
- SUBSONIC FREQUENCY: 0 - 50HZ
- OPERATION EFFICIENCY: 80%
- FULL POWER THERMAL TIME: >45MINS
- DAMPING FACTOR: >200
- FREQUENCY RESPONSE: 10 - 190HZ
- BASS BOOST: 0-12DB
- PROTECTION SYSTEM: TEMP. / SHORT CIRCUIT / H-L
- VOL. MINIMUM SUPPLY VOLTAGE: 9V
- MAXIMUM SUPPLY VOLTAGE: 16V
- IDLE CONSUMPTION @ 12.6 VDC: 0.7A
- MUSICAL MAXIMUM CONSUMPTION @ 12.6 VDC: 90A
- REMOTE CONTROL: YES

# 3000 WMAX



## GFX-55X4

- FULL RANGE AMPLIFIER
- FOX SERIES – CLASS AB
- **STABLE AT 2 OHMS STEREO - 4 OHMS BRIDGED**
- CHANNELS: 4
- PCB LAYERS: SINGLE
- TOPOLOGY: CLASS-AB
- CHIPSET/MOSFET: P50N06
- WATTS MAX **1200W**
- **RMS POWER AT 4 OHM STEREO @13.8V: 55WRMSX4**
- **RMS POWER AT 2 OHM STEREO @13.8V: 70WRMSX4**
- **RMS POWER AT 4 OHM BRIDGED @13.8V: 140WRMSX2**
- TOTAL HARMONIC DISTORTION: <0.1%
- INPUT SENSITIVITY: 200MV-6.0V
- SIGNAL NOISE RATIO: 88DB
- GAIN RANGE: 0.2-6V
- CROSSOVER RANGE - L.P.F: 50HZ - 250HZ
- CROSSOVER RANGE - H.P.F: 120HZ - 3KHZ
- BASS BOOST: 0-12DB
- OPERATION EFFICIENCY: 65%
- FULL POWER THERMAL TIME: >60MINS
- DAMPING FACTOR: >200
- FREQUENCY RESPONSE: 20-20KHZ
- PROTECTION SYSTEM: TEMP./SHORT CIRCUIT/H-L VOL.
- MINIMUM SUPPLY VOLTAGE: 9V
- MAXIMUM SUPPLY VOLTAGE: 15V
- IDLE CONSUMPTION @ 12.6 VDC: 0.5A
- MUSICAL MAXIMUM CONSUMPTION @ 12.6 VDC: 24A
- FUSE SIZE: 25AX2



## 1200 WMAX



# CLASS AB

## GFX-75X4

- FULL RANGE AMPLIFIER
- FOX SERIES – CLASS AB
- **Stable at 2 Ohms stereo - 4 Ohms bridged**
- Channels: 4
- PCB Layers: Single
- Topology: CLASS-AB
- Chipset/Mosfet: P50N06
- WATTS MAX **1800W**
- **RMS Power at 4 Ohm Stereo @13.8V: 70WRMSx4**
- **RMS Power at 2 Ohm Stereo @13.8V: 100WRMSx4**
- **RMS Power at 4 Ohm Bridged @13.8V: 210WRMSx2**
- Total Harmonic Distortion: <0.1%
- Input Sensitivity: 200mv-6.0V
- Signal Noise Ratio: 91dB
- Gain Range: 0.2-6V
- Crossover Range - L.P.F: 50Hz - 250Hz
- Crossover Range - H.P.F: 120Hz - 3KHz
- Bass Boost: 0-12dB
- Operation Efficiency: 65%
- Full Power Thermal Time: >60MINS
- Damping Factor: >200
- Frequency Response: 20-20KHz
- Protection System: Temp./Short Circuit/H-L Vol.
- Minimum Supply Voltage: 9V
- Maximum Supply Voltage: 15V
- Idle Consumption @ 12.6 VDC: 0.5A
- Musical Maximum Consumption @ 12.6 VDC: 26A
- Fuse size: 25Ax2



## 1800 WMAX



**GENIUS  
AUDIO**

**WE PLAY  
LOUD  
& CLEAR**

# Subwoofers

*VULKAN Series*



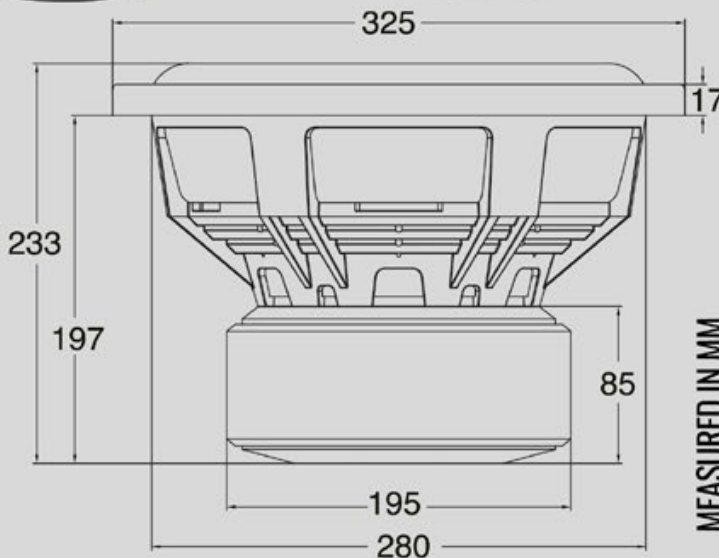
**V11-X12D2**  
**12" · DUAL 2 OHMS**  
**3000W<sub>RMS</sub> - 6000W<sub>MAX</sub>**

**VULKAN**  
SUBWOOFERS



## PRODUCT DESCRIPTION

Impedance	Dual 2 ohm
Sensitivity	86.1 dB
Watts RMS/Max	3000W/6000W
Magnet Oz	3x140 Oz
Magnet Size	250x120x20mm
Coil Size	4"(Made in USA)
Gasket	Rubber
Dust cap	PP
Spider	6 layers
Basket	Aluminum
Material Cone	Non-pressed paper
Frequency Resp.	42.6 - 300 Hz



**G12CX-15D1****5000WRMS / 10000WMAX**

- SIZE: 15"
- VOICE COIL SIZE: 4 INCH - 4 LAYERS
- COIL MATERIAL: **FLAT ALUMINUM WIRE**
- CONE MATERIAL: NON-PRESS PAPER
- DUST CAP: PAPER
- SPIDER: 4 LAYERS
- GASKET: RUBBER GASKET
- BASKET: **ALUMINUM**
- MAGNET FERRITE: Y30 - 3PCS - TOTAL 502 Oz
- MAGNET SIZE: 253X76X72MM
- WATTS RMS/MAX: 5000W/10000W
- SENSITIVITY: 87.3dB
- IMPEDANCE: DUAL 1 OHM
- FREQUENCY RESP: 35.2Hz-250Hz

**10000WMAX**

→ WE  
PLAY **LOUD & CLEAR**

**G11CX-15D1 / 15"****G11CX-18D1 / 18"****3000 WRMS / 6000 WMAX**

- SIZE: 15"/18"
- VOICE COIL SIZE: 4 INCH - 4 LAYERS
- COIL MATERIAL: **FLAT ALUMINUM WIRE**
- CONE MATERIAL: NON-PRESS PAPER
- DUST CAP: PAPER
- SPIDER: 4 LAYERS
- GASKET: RUBBER GASKET
- BASKET: **ALUMINUM**
- MAGNET FERRITE: Y30 - 3PCS - TOTAL 402 Oz
- MAGNET SIZE: 253X60X71MM
- WATTS RMS/ MAX: 3000W/6000W
- SENSITIVITY: 90.1dB
- IMPEDANCE: DUAL 1 OHM
- FREQUENCY RESP: 33.2 Hz - 300 Hz

**6000WMAX**

## G10CX-18D2 / 18"

## G10CX-15D2 / 15"

2000 WRMS / 4000 WMAX

- SIZE: 15"/18"
- VOICE COIL SIZE: 3 INCH - 4 LAYERS
- COIL MATERIAL: **FLAT ALUMINUM WIRE**
- CONE MATERIAL: NON-PRESS PAPER
- DUST CAP: PAPER
- SPIDER: 4 LAYERS
- GASKET: RUBBER GASKET
- BASKET: **ALUMINUM**
- MAGNET FERRITE: Y30 - 3PCS - TOTAL 300 Oz
- MAGNET SIZE: 218X61X69MM
- WATTS RMS/MAX: 2000W/4000W
- SENSITIVITY: 88.9dB / 91dB
- IMPEDANCE: DUAL 2 OHMS
- FREQUENCY RESP: 34.8Hz-300Hz



# 4000WMAX



## G10CP-18D2 / 18"

2000 WRMS / 4000 WMAX

- SIZE: 18"
- VOICE COIL SIZE: 3 INCH - 4 LAYERS
- COIL MATERIAL: **ROUND COPPER WIRE**
- CONE MATERIAL: NON-PRESS PAPER
- DUST CAP: PAPER
- SPIDER: 4 LAYERS
- GASKET: RUBBER GASKET
- BASKET: **ALUMINUM**
- MAGNET FERRITE: Y30 - 3PCS - TOTAL 300 Oz
- MAGNET SIZE: 218X61X67MM
- WATTS RMS/MAX: 2000W/4000W
- SENSITIVITY: 90.6dB
- IMPEDANCE: DUAL 2 OHMS
- FREQUENCY RESP: 29.4 Hz - 300 Hz

# 4000WMAX

**G8CP-12D4 / 12"**

1000 WRMS / 2000 WMAX

- SIZE: 15"
- VOICE COIL SIZE: 3 INCH - 4 LAYERS
- COIL MATERIAL: ROUND COPPER WIRE
- CONE MATERIAL: NON-PRESS PAPER
- DUST CAP: PAPER
- SPIDER: 3 LAYERS
- GASKET: RUBBER GASKET
- BASKET: ALUMINUM
- MAGNET FERRITE: Y30 2PCS - TOTAL 150 Oz
- MAGNET SIZE: 170X51X42MM
- WATTS RMS/MAX: 1000W/2000W
- SENSITIVITY: 87.4 dB
- IMPEDANCE: DUAL 4 OHMS
- FREQUENCY RESP: 31.6Hz - 400Hz

**2000WMAX****G7CP-15D4 / 15"**

700WRMS / 1400WMAX

- SIZE: 15"
- VOICE COIL SIZE: 3 INCH - 4 LAYERS
- COIL MATERIAL: ROUND COPPER WIRE
- CONE MATERIAL: NON-PRESS PAPER
- DUST CAP: PAPER
- SPIDER: 2 LAYERS
- GASKET: RUBBER GASKET
- BASKET: STEEL
- MAGNET FERRITE: Y30 - 2PCS - TOTAL 120 Oz
- MAGNET SIZE: 168X40X46MM
- WATTS RMS/MAX: 700W/1400W
- SENSITIVITY: 86.9 dB
- IMPEDANCE: DUAL 4 OHMS
- FREQUENCY RESP: 31.3Hz-400Hz

**1400WMAX****G6CP-15D4 / 15"**

500 WRMS / 1000 WMAX

- SIZE: 15"
- VOICE COIL SIZE: 2.5 INCH - 4 LAYERS
- COIL MATERIAL: ROUND COPPER WIRE
- CONE MATERIAL: NON-PRESS PAPER
- DUST CAP: PAPER
- SPIDER: 2 LAYERS
- GASKET: RUBBER GASKET
- BASKET: STEEL
- MAGNET FERRITE: Y30 - 2PCS - TOTAL 100 Oz
- MAGNET SIZE: 156X41X46MM
- WATTS RMS/MAX: 500W/1000W
- SENSITIVITY: 87dB
- IMPEDANCE: DUAL 4 OHMS
- FREQUENCY RESP: 31.8Hz-400Hz

**1000WMAX**

## V11-X12D1 - V11-X12D2 / 12"

## V11-X15D1 - V11-X15D2 / 15"

3000 WRMS / 6000 WMAX

- SIZE: 12"/15"
- VOICE COIL SIZE: 4 INCH - 4 LAYER
- COIL MATERIAL: **FLAT ALUMINUM WIRE, MADE IN USA**
- CONE MATERIAL: NON-PRESSED PAPER
- DUST CAP: PP, PRINT "GENIUS AUDIO"
- SPIDER: 4 LAYERS
- GASKET: RUBBER GASKET
- BASKET: **ALUMINUM**
- MAGNET FERRITE: Y30 - 3PCS - TOTAL 420 Oz
- MAGNET SIZE: 250X120X20 MM
- WATTS RMS/MAX: 3000W/6000W
- SENSITIVITY: 84.7dB / 89.3dB
- IMPEDANCE: DUAL 1 OHM / DUAL 2 OHM
- FREQUENCY RESP: 39.6 Hz - 900Hz



**6000WMAX**



**4000WMAX**

## V10-X12D2 - V10-X12D4 / 12"

2000 WRMS / 4000 WMAX

- SIZE: 12"
- VOICE COIL SIZE: 3 INCH - 4 LAYER
- COIL MATERIAL: **FLAT ALUMINUM WIRE, MADE IN USA**
- CONE MATERIAL: NON-PRESSED PAPER
- DUST CAP: PP, PRINT "GENIUS AUDIO"
- SPIDER: 4 LAYERS
- GASKET: RUBBER GASKET
- BASKET: **ALUMINUM**
- MAGNET FERRITE: Y30 - 3PCS - TOTAL 300 Oz
- MAGNET SIZE: 220X110X20 MM
- WATTS RMS/MAX: 2000W/4000W
- SENSITIVITY: 84.7dB / 89.1dB
- IMPEDANCE: DUAL 2 OHM / DUAL 4 OHM
- FREQUENCY RESP: 38.5 Hz - 900Hz

## V9-X12D2 / 12"

## V9-X15D4 / 15"

1500 WRMS / 3000 WMAX

- SIZE: 12"/15"
- VOICE COIL SIZE: 3 INCH - 4 LAYER
- COIL MATERIAL: **ROUND COPPER WIRE**
- CONE MATERIAL: NON-PRESSED PAPER
- DUST CAP: PP, PRINT "GENIUS AUDIO"
- SPIDER: 3 LAYERS
- GASKET: RUBBER GASKET
- BASKET: **ALUMINUM**
- MAGNET FERRITE: Y30 - 3PCS - TOTAL 228 Oz
- MAGNET SIZE: 190X90X20 MM
- WATTS RMS/MAX: 1500W/3000W
- SENSITIVITY: 84.7 dB / 88.3 dB
- IMPEDANCE: DUAL 2 OHM / DUAL 4 OHM
- FREQUENCY RESP: 38.7 Hz - 900Hz



**3000WMAX**

## V8-X15D4 /15"

1000 WRMS / 2000 WMAX

- SIZE: 15"
- VOICE COIL SIZE: 3 INCH - 4 LAYER
- COIL MATERIAL: ROUND COPPER WIRE
- CONE MATERIAL: NON-PRESSED PAPER
- DUST CAP: PP, PRINT "GENIUS AUDIO"
- SPIDER: 2 LAYERS
- GASKET: RUBBER GASKET
- BASKET: ALUMINUM
- MAGNET FERRITE: Y30 - 2PCS - TOTAL 140 Oz
- MAGNET SIZE: 170X90X25 MM
- WATTS RMS/MAX: 1000W/2000W
- SENSITIVITY: 88.9 dB
- IMPEDANCE: DUAL 4 OHM
- FREQUENCY RESP: 36.8 Hz - 1000Hz



2000WMAX

## V7-12D2 - V7-12D4/ 12" V7-15D4 /15"

1000 WRMS / 2000 WMAX

- SIZE: 12"/15"
- VOICE COIL SIZE: 3 INCH - 4 LAYER
- COIL MATERIAL: ROUND COPPER WIRE
- CONE MATERIAL: NON-PRESSED PAPER
- DUST CAP: PP, PRINT "GENIUS AUDIO"
- SPIDER: 2 LAYERS
- GASKET: RUBBER GASKET
- BASKET: STEEL, GLOSS BLACK
- MAGNET FERRITE: Y30 - 2PCS - TOTAL 140 Oz
- MAGNET SIZE: 170X90X25 MM
- WATTS RMS/MAX: 1000W/2000W
- SENSITIVITY: 86 dB / 88.8 dB
- IMPEDANCE: DUAL 2 OHM / DUAL 4 OHM
- FREQUENCY RESP: 38.3 Hz - 1000Hz



2000WMAX

## V6-12D2 - V6-12D4 /12" V6-15D4 /15"

700 WRMS / 1400 WMAX

- SIZE: 12"/15"
- VOICE COIL SIZE: 3 INCH - 4 LAYER
- COIL MATERIAL: **ROUND COPPER WIRE**
- CONE MATERIAL: NON-PRESSED PAPER
- DUST CAP: PP, PRINT "GENIUS AUDIO"
- SPIDER: 2 LAYERS
- GASKET: RUBBER GASKET
- BASKET: **STEEL, GLOSS BLACK**
- MAGNET FERRITE: Y30 - 2PCS - TOTAL 120 Oz
- MAGNET SIZE: 170X90X20MM
- WATTS RMS/MAX: 700W/1400W
- SENSITIVITY: 85.8 dB / 88.3 dB
- IMPEDANCE: DUAL 2 OHM / DUAL 4 OHM
- FREQUENCY RESP: 36.3 Hz - 1000Hz



**1400WMAX**

## V5-15D4 / 15"

500 WRMS / 1000 WMAX

- SIZE: 12 " /15"
- VOICE COIL SIZE: 2.5 INCH - 4 LAYER
- COIL MATERIAL: **ROUND COPPER WIRE**
- CONE MATERIAL: NON-PRESSED PAPER
- DUST CAP: PP, PRINT "GENIUS AUDIO"
- SPIDER: 2 LAYERS
- GASKET: RUBBER GASKET
- BASKET: **STEEL, GLOSS BLACK**
- MAGNET FERRITE: Y30 - 2PCS - TOTAL 1000z
- MAGNET SIZE: 156X70X20MM
- WATTS RMS/MAX: 500W/1000W
- SENSITIVITY: 86.1 dB / 88.6 dB
- IMPEDANCE: DUAL 4 OHM
- FREQUENCY RESP: 35.7 Hz - 1000Hz



**1000WMAX**

## N11-12D2 / 12"

2000 WRMS / 4000 WMAX

- SIZE: 12" / 15"
- VOICE COIL SIZE: 3.3 INCH - 4 LAYER
- COIL MATERIAL: **ROUND COPPER WIRE**
- CONE MATERIAL: NON-PRESSED PAPER
- DUST CAP: PP
- SPIDER: 2PCS - 4 LAYERS
- GASKET: RUBBER
- BASKET: **ALUMINUM**
- MAGNET FERRITE: Y30 - 2PCS - TOTAL 170 Oz
- MAGNET SIZE: 220X110X30MM
- WATTS RMS/MAX: 2000W/4000W
- SENSITIVITY: 86.1 dB
- IMPEDANCE: DUAL 2 OHM
- FREQUENCY RESP: 45.6 Hz - 280 Hz



## N10-12D2- / 12"

1500 WRMS / 3000 WMAX

- SIZE: 12" / 15"
- VOICE COIL SIZE: 3 INCH - 4 LAYERS
- COIL MATERIAL: **ROUND COPPER WIRE**
- CONE MATERIAL: NON-PRESSED PAPER
- DUST CAP: PP
- SPIDER: 2 PCS - 4 LAYERS
- GASKET: RUBBER
- BASKET: **ALUMINUM**
- MAGNET FERRITE: Y30 - 3PCS - TOTAL 233 Oz
- MAGNET SIZE: 190X90X20MM
- WATTS RMS/MAX: 1500W/3000W
- SENSITIVITY: 86.1 dB / 88.4 dB
- IMPEDANCE: DUAL 2 OHM / 4 OHM
- FREQUENCY RESP: 32.3 Hz - 280 Hz

## N9-12D2 / 12"

## N9-15D4 / 15"

1000 WRMS / 2000 WMAX

- SIZE: 12"/15"
- VOICE COIL SIZE: 3 INCH - 4 LAYER
- COIL MATERIAL: **ROUND COPPER WIRE**
- CONE MATERIAL: NON-PRESSED PAPER
- DUST CAP: PP, WITH LOGO "GENIUS AUDIO"
- SPIDER: 2 LAYERS
- GASKET: RUBBER GASKET WITH LOGO
- BASKET: **STEEL**
- MAGNET FERRITE: Y30 - 2PCS - TOTAL 170 Oz
- MAGNET SIZE: 184X50X51MM
- WATTS RMS/MAX: 1000W/2000W
- SENSITIVITY: 83.5 dB / 85.4 dB / 87.9 dB
- IMPEDANCE: DUAL 2 OHM / 4 OHM
- FREQUENCY RESP: 35.8 Hz - 350 Hz



## N8-12D4 / 12" N8-15D4 / 15"

700 WRMS / 1400 WMAX

- SIZE: 12"/15"
- VOICE COIL SIZE: 3 INCH - 4 LAYER
- COIL MATERIAL: **ROUND COPPER WIRE**
- CONE MATERIAL: NON-PRESSED PAPER
- DUST CAP: PP, WITH LOGO "GENIUS AUDIO"
- SPIDER: 1 LAYERS
- BASKET: RUBBER GASKET WITH LOGO
- BASKET: **STEEL**
- MAGNET FERRITE: Y30 - 2PCS - TOTAL 120 Oz
- MAGNET SIZE: 173X41X45 MM
- WATTS RMS/MAX: 700W/1400W
- SENSITIVITY: 86.7 dB / 88.7 dB
- IMPEDANCE: DUAL 4 OHM
- FREQUENCY RESP: 33 Hz - 450 Hz



## N7-12D4 / 12" N7-15D4 / 15"

500 WRMS / 1000 WMAX

- SIZE: 12"/15"
- VOICE COIL SIZE: 2.5 INCH - 4 LAYER
- COIL MATERIAL: **ROUND COPPER WIRE**
- CONE MATERIAL: NON-PRESSED PAPER
- DUST CAP: PP, WITH LOGO "GENIUS AUDIO"
- SPIDER: 1 LAYERS
- GASKET: RUBBER GASKET WITH LOGO
- BASKET: **STEEL**
- MAGNET FERRITE: Y30 - 2PCS - TOTAL 100 Oz
- MAGNET SIZE: 146X40X38 MM
- WATTS RMS/MAX: 500W/1000W
- SENSITIVITY: 87.2 dB / 88.4 dB
- IMPEDANCE: DUAL 4 OHM
- FREQUENCY RESP: 34.9 Hz - 450 Hz



## N6-12D2 / N6-12D4 / 12"

400 WRMS / 800 WMAX

- SIZE: 12"
- VOICE COIL SIZE: 2 INCH - 4 LAYER
- COIL MATERIAL: **ROUND COPPER WIRE**
- CONE MATERIAL: NON-PRESSED PAPER
- DUST CAP: PP, WITH LOGO "GENIUS AUDIO"
- SPIDER: 1 LAYERS
- GASKET: RUBBER GASKET WITH LOGO
- BASKET: **STEEL**
- MAGNET FERRITE: Y30 - 1PCS - TOTAL 68 Oz
- MAGNET SIZE: 156X70X25 MM
- WATTS RMS/MAX: 400W/800W
- SENSITIVITY: 87.3 dB / 88.6 dB
- IMPEDANCE: DUAL 2/4 OHM
- FREQUENCY RESP: 38 Hz - 400 Hz / 45.3 Hz - 300 Hz



## N3-12S4 / 12"

250WRMS / 500WMAX

- SIZE: 12"
- VOICE COIL SIZE: 2 INCH - 4 LAYER
- COIL MATERIAL: **ROUND COPPER WIRE**
- CONE MATERIAL: NON-PRESSED PAPER
- DUST CAP: POLYPROPYLENE
- SPIDER: 1 LAYERS
- GASKET: EVA- WITHOUT RUBBER BOOT
- BASKET: **STEEL**
- MAGNET FERRITE: Y30 - 1PCS - TOTAL 33 Oz
- MAGNET SIZE: 120X50X36 MM
- WATTS RMS/MAX: 250W/500W
- SENSITIVITY: 90.1 dB
- IMPEDANCE: SINGLE 4 OHM
- FREQUENCY RESP: 27.43 Hz - 210 Hz

## N2-M65D2 / 6.5" N2-M65D4 / 6.5"

200 WRMS / 400 WMAX

- SIZE: 6.5"
- VOICE COIL SIZE: 2 INCH - 4 LAYERS
- COIL MATERIAL: COPPER WIRE
- CONE MATERIAL: NON-PRESSED PAPER
- DUST CAP: POLYPROPYLENE
- SPIDER: 2 LAYERS
- GASKET: EVA- WITHOUT RUBBER BOOT
- BASKET: STEEL
- MAGNET FERRITE: Y30 - 2PCS - TOTAL 33 Oz
- MAGNET SIZE: 119X20X14 MM
- WATTS RMS/MAX: 200W/400W
- SENSITIVITY: 88.9 dB
- IMPEDANCE: DUAL 2 OHM / DUAL 4 OHM
- FREQUENCY RESP: 60.05 Hz - 300 Hz



## N2-M8D2 / 8" N2-M8D4 / 8"

500 WRMS / 1000 WMAX

- SIZE: 8"
- VOICE COIL SIZE: 2.5 INCH - 4 LAYER
- COIL MATERIAL: ROUND COPPER WIRE
- CONE MATERIAL: NON-PRESSED PAPER
- DUST CAP: POLYPROPYLENE
- SPIDER: 2 LAYERS
- GASKET: EVA- WITHOUT RUBBER BOOT
- BASKET: STEEL
- MAGNET FERRITE: Y30 - 1PCS - TOTAL 33 Oz
- MAGNET SIZE: 145X21X36 MM
- WATTS RMS/MAX: 500W/1000W
- SENSITIVITY: 89.1 dB
- IMPEDANCE: DUAL 2 OHM / DUAL 4 OHM
- FREQUENCY RESP: 42.4 Hz - 300 Hz



# SUBWOOFERS SLIM

## N1-SL10D4 / N1-SL10D2 / 10" N1-SL12D4 / N1-SL12D2 / 12"

400 WRMS / 800 WMAX

- SIZE: 10"/12"
- VOICE COIL SIZE: 2 INCH - 4 LAYER
- COIL MATERIAL: ROUND COPPER WIRE
- CONE MATERIAL: NON-PRESSED PAPER
- DUST CAP: PP, PRINT "GENIUS AUDIO"
- SPIDER: 1 LAYERS
- GASKET: RUBBER GASKET
- BASKET: STEEL
- MAGNET FERRITE: Y30 - 1PCS
- MAGNET SIZE: 156X70X22 MM
- WATTS RMS/MAX: 400W/800W
- SENSITIVITY: 85.2 dB / 86.8 dB
- IMPEDANCE: DUAL 4 OHM - DUAL 2 OHM
- FREQUENCY RESP: 41 Hz - 500 Hz / 37.4 Hz - 676 Hz



## NX3A-12D2

250 WRMS / 500 WMAX

- SIZE: 12"
- VOICE COIL SIZE: 2" - 4 LAYERS
- COIL MATERIAL: COPPER WIRE
- CONE MATERIAL: POLYPROPYLENE
- DUST CAP: POLYPROPYLENE
- SPIDER: 1 LAYER
- GASKET: FOAM
- BASKET: STEEL
- MAGNET FERRITE: Y30 - 50 Oz.
- MAGNET SIZE: 140 X 70 X 25MM
- WATTS RMS/MAX: 250W/500W
- SENSITIVITY: 86.9dB
- IMPEDANCE: DUAL 2 Ohms
- FREQUENCY RESP: 35Hz - 250Hz



# NX S E R I E S

## NX3B-12D2

250 WRMS / 500 WMAX

- SIZE: 12"
- VOICE COIL SIZE: 2" - 4 LAYERS
- COIL MATERIAL: COPPER WIRE
- CONE MATERIAL: POLYPROPYLENE
- DUST CAP: POLYPROPYLENE
- SPIDER: 1 LAYER
- GASKET: RUBBER
- BASKET: STEEL
- MAGNET FERRITE: Y30 - 50 Oz.
- MAGNET SIZE: 140 X 70 X 25MM
- WATTS RMS/MAX: 250W/500W
- SENSITIVITY: 88 dB
- IMPEDANCE: DUAL 2 Ohms
- FREQUENCY RESP: 46Hz - 250Hz



## NX3C-12D2

250 WRMS / 500 WMAX

- SIZE: 12"
- VOICE COIL SIZE: 2" - 4 LAYERS
- COIL MATERIAL: COPPER WIRE
- CONE MATERIAL: POLYPROPYLENE
- DUST CAP: POLYPROPYLENE
- SPIDER: 1 LAYER
- GASKET: FOAM
- BASKET: STEEL
- MAGNET FERRITE: Y30 - 50 Oz.
- MAGNET SIZE: 140 X 70 X 25MM
- WATTS RMS/MAX: 250W/500W
- SENSITIVITY: 87dB
- IMPEDANCE: DUAL 2 Ohms
- FREQUENCY RESP: 32.6Hz - 250Hz



## NX7-12D2

500 WRMS / 1000 WMAX

- SIZE: 12"
- VOICE COIL SIZE: 2.5" - 4 LAYERS
- COIL MATERIAL: COPPER WIRE
- CONE MATERIAL: NON PRESSED PAPER
- DUST CAP: POLYPROPYLENE
- SPIDER: 2 LAYERS
- GASKET: RUBBER
- BASKET: STEEL
- MAGNET FERRITE: Y30 - 100 Oz.
- MAGNET SIZE: 156 X 80 X 40MM
- WATTS RMS/MAX: 500W/1000W
- SENSITIVITY: 88 dB
- IMPEDANCE: DUAL 2 Ohms
- FREQUENCY RESP: 33.9Hz - 250Hz



# NX

S E R I E S



## G-WA038

150 WRMS / 500 WMAX

- SUBWOOFERS INCHES/CM: 8" / 20CM
- FREQUENCY RESPONSE: 20HZ - 150HZ
- SIGNAL / NOISE RATIO: 98dB
- Crossover: 12DB /OCT LOW-PASS 50-150HZ  
24DB /OCT HIGH-PASS @20HZ
- INPUT SENSITIVITY: LOW LEVEL 110MV-2V  
HIGH LEVEL 250MV-10V  
VARIABLE 0 TO -12DB @ 40HZ
- BASS BOOST: 0° / 180°
- PHASE SWITCH: SWITCH ON/OFF
- AUTO POWER ON: 8" (40HM)
- SLIM WOOFER: 15A
- FUSE RATING: BLUE (POWER) - RED (PROTECTION LED)
- ILLUMINATION: OVER VOLTAGE - THERMAL PROTECTION  
CIRCUIT SHORT PROTECTION
- PROTECTION CIRCUIT:
- MINIMUM SUPPLY VOLTAGE: 9V
- MAXIMUM SUPPLY VOLTAGE: 16V
- REMOTE BASS: INCLUDED



## G-WA0310

150 WRMS / 500 WMAX

- SUBWOOFERS INCHES/CM: 10" / 25.4CM
- FREQUENCY RESPONSE: 20HZ - 150HZ
- SIGNAL / NOISE RATIO: 98dB
- Crossover: 12DB /OCT LOW PASS 50-150HZ  
24DB /OCT HIGH-PASS @20HZ
- INPUT SENSITIVITY: LOW LEVEL 110MV-2V  
HIGH LEVEL 250MV-10V  
VARIABLE 0 TO -12DB @ 40HZ
- BASS BOOST: 0° / 180°
- PHASE SWITCH: SWITCH ON/OFF
- AUTO POWER ON: 10" (40HM)
- SLIM WOOFER: 15A
- FUSE RATING: BLUE (POWER) - RED (PROTECTION LED)
- ILLUMINATION: OVER VOLTAGE - THERMAL PROTECTION  
CIRCUIT SHORT PROTECTION
- PROTECTION CIRCUIT:
- MINIMUM SUPPLY VOLTAGE: 9V
- MAXIMUM SUPPLY VOLTAGE: 16V
- REMOTE BASS: INCLUDED

## LOADED SUBWOOFER ENCLOSURE

LOADED SUBWOOFER BOX ENCLOSURE SEALED SLIM 10" AND 12"

SINGLE

DUAL



WE PLAY  
LOUD  
& CLEAR

*ENCLOSURE*

*Subwoofer BOX*

**LOADED SUBWOOFER BOX ENCLOSURE SEALED SLIM 10" AND 12"**

**SINGLE 10"**



**SINGLE 12"**



**LOADED SUBWOOFER ENCLOSURE PORTED 10" AND 12"**

**SINGLE**



**DUAL**



**ENCLOSURE**

**Mid-Range BOX**

**MINI LOADED SUBWOOFER ENCLOSURE PORTED 6.5" AND 8"**

**SINGLE**



**DUAL**



**TRIPLE**



**DUAL LOADED MIDRANGE ENCLOSURE PORTED**

**6.5"**



**8"**



**10"**



**LOADED MIDRANGE ENCLOSURE PORTED CHUCHERO SD 6.5" AND 8"**



ENCLOSURE

Mid-Range BOX

## LOADED MIDRANGE ENCLOSURE PORTED CHUCHERO 8"



## LOADED MIDRANGE ENCLOSURE PORTED CHUCHERO 10" AND 12"

10"



12"



## G-SSA150.1 SEALED SUBBOX AMPLIFIER

600W<sub>MAX</sub> 4 OHMS

- AUX IN
- HIGH/LOW INPUT
- BUILT IN AMPLIFIER OUTPUT 150WRMS
- CROSSOVER FREQUENCY (50-150Hz)



ENCLOSURE

Party BOX

## PARTY BOX 6.5"

AVAILABLE:

- SUBWOOFERS N3-12S4 - 500 WMAX
- SUBWOOFERS N3XA-12D2 - 500 WMAX
- SUBWOOFERS N3XB-12D2 - 500 WMAX
- SUBWOOFERS N3XC-12D2 - 500 WMAX



WE PLAY LOUD & CLEAR



## PARTY BOX 8"

DUAL PORT



AVAILABLE:

- SUBWOOFERS N6-12D2 - 800 WMAX
- SUBWOOFERS NX7-12D2 - 1000 WMAX
- SUBWOOFERS N7-12D4 - 1000 WMAX
- SUBWOOFERS V6-12D2 - 1400 WMAX



*ENCLOSURE*

*Subwoofer BOX*

**SPL 10" 700/1000WRMS**



**SPL 12" 700WRMS**



**SPL 12" 1000WRMS**



# ENCLOSURE

# Subwoofer BOX

## LOADED SUBWOOFER ENCLOSURE PORTED - ABCP-112



AVAILABLE:

- SUBWOOFERS N3-12S4 - 500 WMAX
- SUBWOOFERS N6-12D2 - 800 WMAX
- SUBWOOFERS N6-12D4 - 800 WMAX



### ABCP-112-CARPET



### ABCP-112-GR



### ABCP-112-SIL

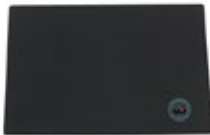


## LOADED SUBWOOFER ENCLOSURE PORTED - ABVA-112



AVAILABLE:

- SUBWOOFERS N3-12S4 - 500 WMAX
- SUBWOOFERS N6-12D2 - 800 WMAX
- SUBWOOFERS N6-12D4 - 800 WMAX



## LOADED SUBWOOFER ENCLOSURE PORTED - ABCX-112



AVAILABLE:

- SUBWOOFERS N3-12S4 - 500 WMAX
- SUBWOOFERS N6-12D2 - 800 WMAX
- SUBWOOFERS N6-12D4 - 800 WMAX



**GENIUS  
AUDIO**

**WE PLAY  
LOUD  
& CLEAR**

*Wires*

*Power Cable Series*



**GC-0GA50PRO**  
**100% COPPER**  
**50 FEET - 15 MTS**



**100%**  
**COPPER OFC**  
(Oxygen Free Copper)  
**ULTRA FLEX  
ORANGE PVC**

- POWER CABLE
- 100% COPPER
- OGA GAUGE
- FLEXIBLE PVC ORANGE
- 50 FT / 15 MTS.
- OXYGEN-FREE



# WIRES

# Amplifiers

## GC-KIT4 2500W

- 16.40 FT / 5 MTS. 4 AWG - RED POSITIVE POWER CABLE
- 3.28 FT / 1 MTS. 4 AWG - BLACK NEGATIVE POWER CABLE
- 16.40 FT / 5 MTS. 18 AWG - BLUE REMOTE TORN ON WIRED INCLUDED
- 16.40 FT / 5 MTS. 14 AWG - CLEAR FLEXIBLE SPEAKER CABLE RED AND BLACK
- 16.40 FT / 5 MTS. RCA CLEAR FLEXIBLE SPEAKER CABLE RED AND BLACK FUSE HOLDER 100A



**CCA**  
COPPER CLAP ALUMINUM

## GC-KIT8 1500W

- 16.40 FT / 5 MTS. 8 AWG - RED POSITIVE POWER CABLE
- 3.28 FT / 1 MTS. 8 AWG - BLACK NEGATIVE POWER CABLE
- 16.40 FT / 5 MTS. 18 AWG - BLUE REMOTE TORN ON WIRED INCLUDED
- 16.40 FT / 5 MTS. 14 AWG - CLEAR FLEXIBLE SPEAKER CABLE RED AND BLACK
- 16.40 FT / 5 MTS. RCA CLEAR FLEXIBLE SPEAKER CABLE RED AND BLACK FUSE HOLDER 60A



**REAL SIZE LENGTH**



# POWER AMPLIFIERS WIRES

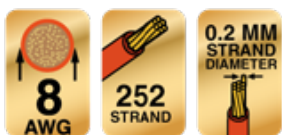
## GC-OGAC50PRO 100% COPPER CABLE 0

- POWER CABLE
- 100% COPPER
- OGA GAUGE
- ULTRA FLEX ORANGE PVC
- 50 FT / 15 MTS.
- OFC (OXYGEN FREE COPPER)



## GC-8GAC100PRO 100% COPPER CABLE 8

- POWER CABLE
- 100% COPPER
- 8GA GAUGE
- ULTRA FLEX ORANGE PVC
- 100 FT / 30 MTS.
- OFC (OXYGEN FREE COPPER)



# 100% COPPER OFC

## GC-4GAC100PRO 100% COPPER CABLE 4

- POWER CABLE
- 100% COPPER
- 4GA GAUGE
- ULTRA FLEX ORANGE PVC
- 100 FT / 30 MTS.
- OFC (OXYGEN FREE COPPER)



# WIRES

# Speakers

## GC-12GA500GBK SPEAKER CABLE 12 GAUGE

- SPEAKER CABLE
- 30% COPPER
- 12GA GAUGE
- 500 FT / 150 MTS.
- COPPER CLAP ALUMINUM
- ULTRA FLEX
- GREEN / BLACK



## GC-16GA1000GBK SPEAKER CABLE 16 GAUGE

- SPEAKER CABLE
- 30% COPPER
- 16GA GAUGE
- 1000 FT / 300 MTS.
- COPPER CLAP ALUMINUM
- ULTRA FLEX
- GREEN / BLACK



## PREMIUM SERIES RCA

### GC-RCA2F1M GC-RCA1F2M Y CABLE / 1FT.

- RCA CABLE - TYPE Y
- 1 FEMALE / 2 MALE OR 2 FEMALE / 1 MALE
- CCA
- NICKEL-PLATED HIGH QUALITY CONNECTORS
- 1 FT.
- REAL SIZE



GC-RCA2F1M

2 FEMALE / 1 MALE



GC-RCA1F2M

1 FEMALE / 2 MALE



**WE PLAY  
LOUD  
& CLEAR**

# Promotional Material

## SPORTS BAG



## LANYARD



## PROMOTIONAL FLAG



## GENIUS HAT



## BANNERS 120X60 CMS



## WINDOW STICKERS





# GENIUS<sup>®</sup> AUDIO



*HEADQUARTER LATINOAMÉRICA*  
Panamá – Colon City ( Free Zone ) - Importadora Bouticar, S.A.  
Dirección: Edif. Cofrisa 1, PoBOX: 0302 00076.  
Telf.: + (507) 441 3696 / 1099 / 5574.  
Sales Office: + (507) 261 9778 / 9774 / 9765 - Fax: +(507) 441.0679

*CEO - Gerente General*  
Alberto Martinez  
ampanama@geniuspanama.com

*Gerente de Ventas Internacional*  
Carlos A. Romero  
gerenciacr@geniuspanama.com

*Asist. Ventas Internacional*  
Julia Escudero  
ventasje@geniuspanama.com

*Marketing Digital*  
Milagros Campos  
marketingmc@geniuspanama.com

*HEADQUARTER USA*  
Miami - Genius Car and Audio USA LLC  
Dirección: 407 NW 10TH TERRACE. HALLANDALE BEACH, FL 33009. USA  
Office: +1 (954)-374-9805, Cellphone: +1 (754)-230-0254  
E-Mail info@geniusaudioussa.com /sales@geniusaudioussa.com  
www.geniusaudioussa.com

*EMPRESAS DEL GRUPO GENIUS*  
El Mundo de las Alarmas S.A. - Panamá, Panamá City  
Calle 2da Francisco Filos, Centro Genius, frente a Refristore,  
Vista Hermosa. P.O.B.O.X. 0302-00076  
Teléfonos: +(507) 261.7256 / 6448 Fax: +(507) 261.5274 +507 6982-9257

Gerencia Panamá: Rafael Barreto - gerenciarb@geniuspanama.com  
Instagram: @centroinstalaciongenius  
Facebook: Centro Instalación Genius.  
www.centroinstalaciongenius.com

*Genius Bouticar, Costa Rica*  
San José, Costa Rica  
Complejo de Bodegas IRGA  
(Antiguas Bodegas de Colgate)  
#23 Barrio la Pitahaya, San José Costa Rica.  
Teléfono: +506 7085 6266

*Genius Bouticar SA de CV*  
México  
Cuautitlan, Emisor Poniente, 7/14 B,  
El Cerrito, 54879, Estado de Mexico.  
Teléfono: +(521) 552237 3344